

Model 7601-14

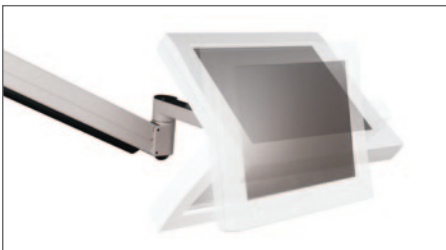
Long-Reach Flat Panel Arm



This massive arm extends up to 42", allowing for a remarkable amount of flexibility. Combined with 31" of vertical range, Model 7601-14 allows you to position the monitor anywhere within its huge span. Combined with an optional keyboard tray, this arm makes for a most useful sit/stand data entry station. As with all Innovative articulating arms, the monitor floats weightless above the work surface, where it can be effortlessly repositioned. A wide degree of monitor tilt is also featured, even the ability to turn the monitor from landscape to portrait viewing. Cables are threaded through the arm, keeping them out of view and out of harm's way.



Integrated cable management keeps work area free of annoying cable clutter



Tilt monitor to desired angle



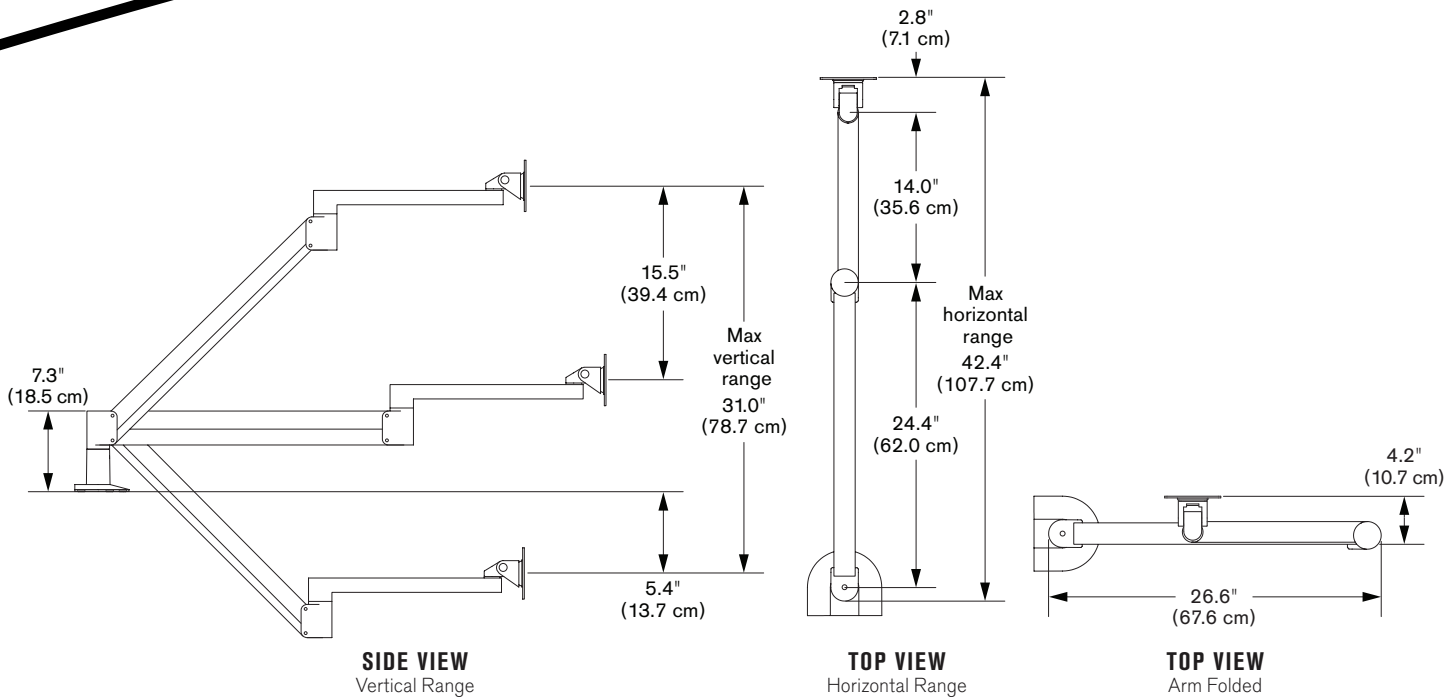
Fold arm to save space when not in use

FEATURES

- ▲ Extends up to 42", with 31" vertical range
- ▲ Folds up to occupy just inches of space
- ▲ Includes cable management system – cables are routed entirely within arm
- ▲ Tilt monitor up to 200 degrees
- ▲ Monitor pivots 90 degrees for portrait to landscape viewing
- ▲ Includes FLEXmount™ – six different mounting options in one kit
- ▲ Compatible with all VESA® monitors – includes 75mm and 100mm VESA® mounting plates

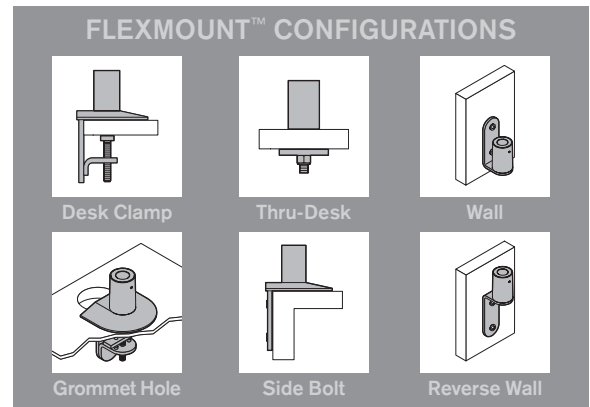
Model 7601-14

Specifications

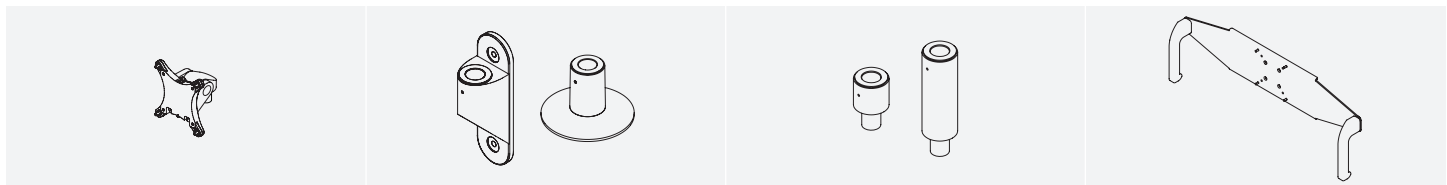


CAPABILITIES

- Vertical range** 31" (78.7 cm), +/- 15.5" (39.4 cm) from horizontal
- Horizontal range** 42.4" (107.7 cm)
- Rotation** 360 degrees at three joints
- Monitor tilt** 200 degrees
- Monitor pivot** Landscape to portrait
- Monitor compatibility** VESA® 75mm and 100mm
- Cable management** Cables are routed entirely within arm
- Mounting options** FLEXmount™, Wall, Thru-Desk
- Monitor weight/model number** 0.0 - 8.9 lbs (0.0 - 4.0 kg) / 7601-14-1000
2.1 - 15.5 lbs (0.9 - 7.0 kg) / 7601-14-1500
6.1 - 24.1 lbs (2.7 - 10.9 kg) / 7601-14-2000



OPTIONAL ACCESSORIES



QUICK RELEASE ADAPTERS
Allows for quick attach and release of monitor (8336-QR).

MOUNTS
Wall (8325) and thru-desk (8312).

EXTENDER TUBES
Raise the height of your arm. 2" (8171-75-2) and 6" (8171-75-6) extensions available.

HANDLE SET
Provides convenient handles to reposition monitor (8409).



Phone: 800.524.2744 | Fax: 610.253.9521 | E-mail: sales@LCDarms.com | Web: www.LCDarms.com

This product is protected by one or more of the following U.S. Patent Nos., and other United States and foreign patents applied for: 119,345, 119,346, 1,324,842, 2,470,525, 6,076,785, 6,273,383, 6,409,134, 6,478,274, 6,499,704, 6,505,988, 6,609,691, 6,19,606, 6,719,253, 6,726,167, 6,736,364, 6,783,105, 6,854,698, 6,915,994, 6,935,883, 6,955,328, 6,983,917, 6,986,489, 7,014,157, 7,017,874, 7,048,242, 7,059,574, 7,063,296, 7,066,433, 7,066,435, 7,389,965, 7,665,699, D435,852, D491,952, D492,893, D670,853, D675,293.