

Model 7500-Wing

Dual LCD Arm with Vertical/
Horizontal Positioning



Do you use two monitors? With the 7500-Wing, both monitors will float above your desktop, allowing you to quickly and easily adjust monitor height and position. Monitors can be positioned either side-by-side or one above the other.

Our adjustable wing bracket allows you to adjust monitors, and also allows rotation. The 7500-Wing incorporates cable management – thread the cables right through the arm, keeping your work space clean and organized.

FEATURES

- ▲ Gas arm “floats” monitors above desktop for instant height adjustment
- ▲ Monitors can be positioned horizontally (side-by-side) or vertically (stacked one over another)
- ▲ Includes FLEXmount™
- ▲ Quick-install/quick-release mechanism instantly and securely snaps monitors into position
- ▲ Compatible with all VESA® monitors – includes 75mm and 100mm VESA® mounting plates
- ▲ Includes cable management system – cables concealed in arm
- ▲ Accommodates monitors up to 24" widescreen (monitor widths may vary)



Horizontal/vertical positioning



Internal cable management



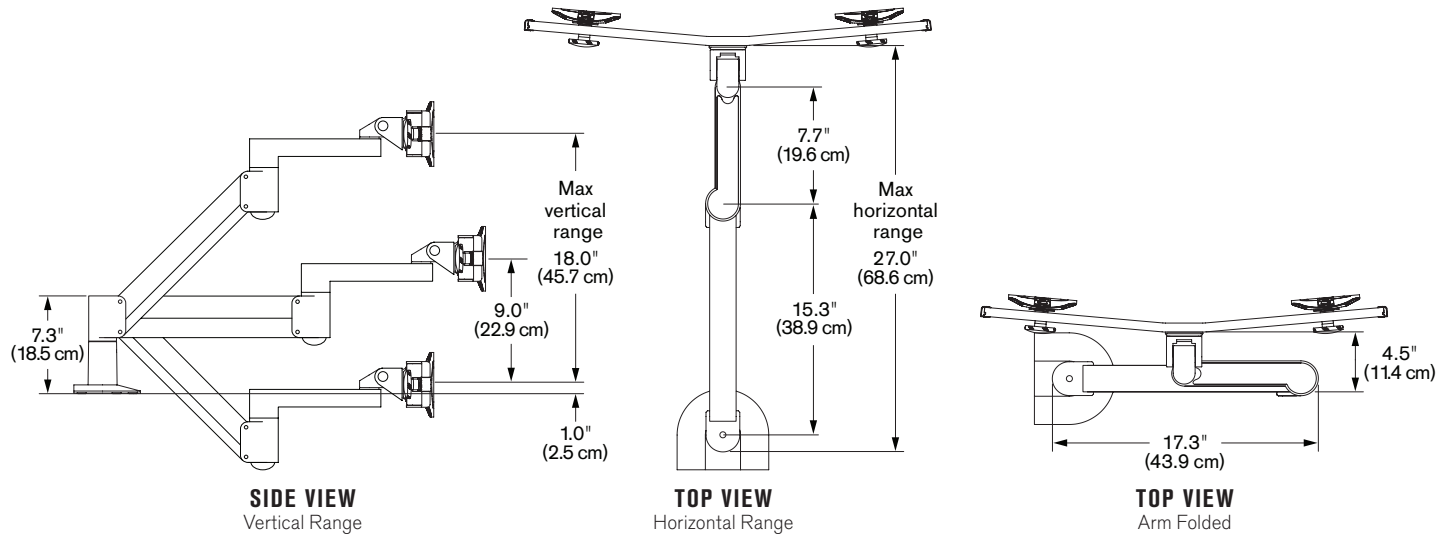
Arm folds to save space

Model 7500-Wing

Specifications

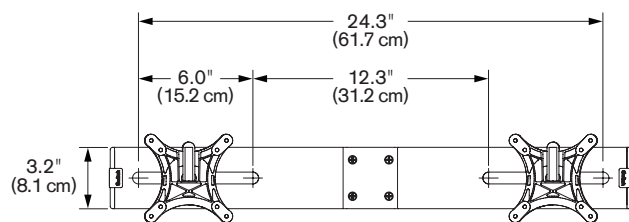


ARM CAPABILITIES




- Vertical range** +/- 9" (22.9 cm) from horizontal
- Horizontal range** 27" (68.6 cm)
- Rotation** 360 degrees at three joints
- Monitor tilt** 200 degrees
- Monitor pivot** Landscape to portrait
- Monitor compatibility** VESA® 75mm and 100mm
- Cable management** Cables are concealed in arm
- Mounting options** FLEXmount™, Slatwall, Wall, Thru-Desk
- Monitor weight/model number** 3.5 - 13.5 lbs (1.6 - 6.1 kg) / 7500-Wing-1000
9 - 21 lbs (4.1 - 9.5 kg) / 7500-Wing-1500

WING BRACKET CAPABILITIES



Max monitor width* 23" (58.4 cm)** per monitor

* Monitor width is measured from end to end of the monitor as shown here: 
 ** This measurement is based on a monitor depth of 2.5" (6.3 cm).
 The depth of the monitor will have a slight effect on the overall max dimension.

FLEXMOUNT™ CONFIGURATIONS

