

Model 7500

Floating Flat Panel Arm



iF
2002
Design Award Winner

The award-winning 7500 Radial Arm is a remarkable work tool. Effortlessly position your monitor exactly where you want it, and add flexibility to your work style. Suspend your flat panel above the desk surface and reclaim your valuable space. Innovative cable management routes cables inside the arm, in order to keep your desk organized. You'll never work the old and cluttered way again!

FEATURES

- ▲ Reposition the monitor with one hand—no knobs to turn.
- ▲ Extends up to 27", folds to just 3", vertical range of 18".
- ▲ Tilt monitor up to 200 degrees.
- ▲ Includes FLEXmount.™
- ▲ Compatible with all VESA® monitors—includes 75mm and 100mm VESA® mounting plates.
- ▲ Includes cable management system—cables concealed in arm.



Collapses to save space when not in use



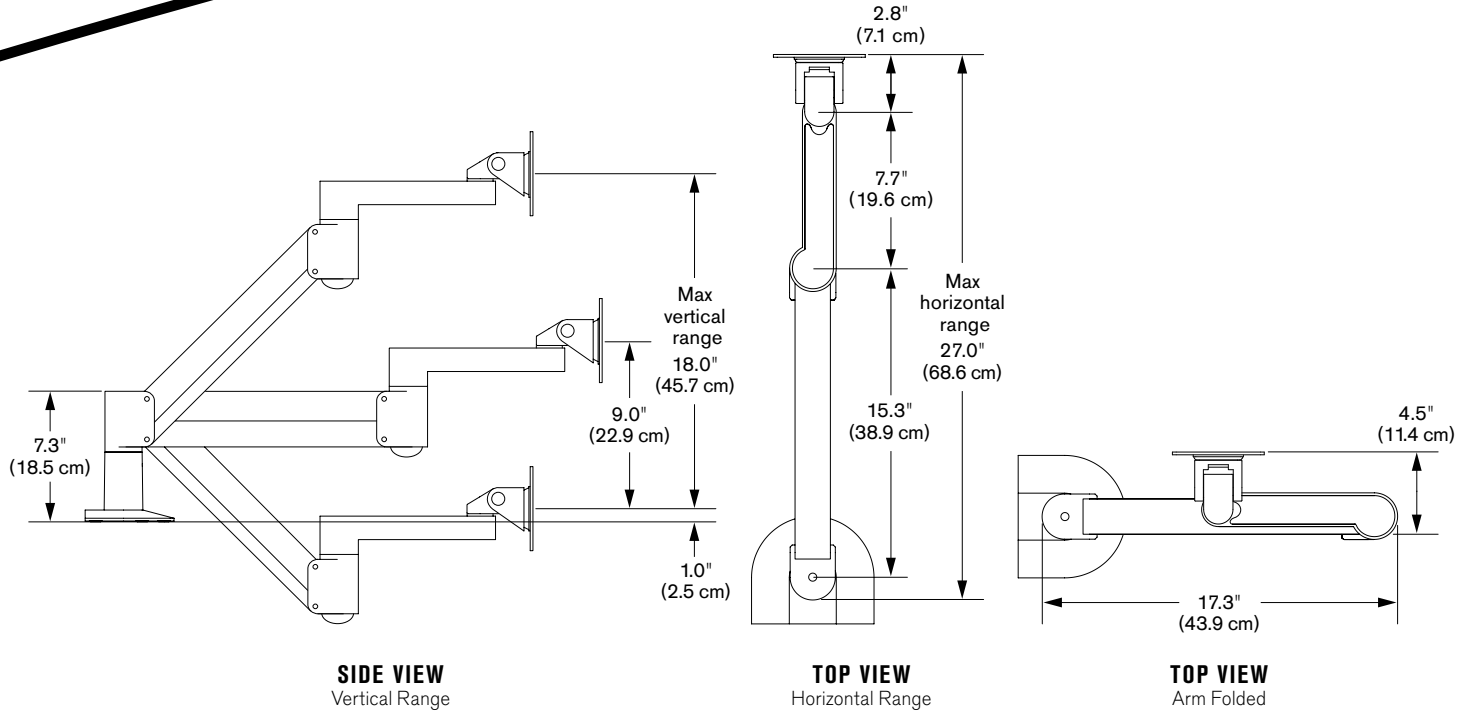
Instant height adjustment



Cable management keeps cables tucked beneath arm

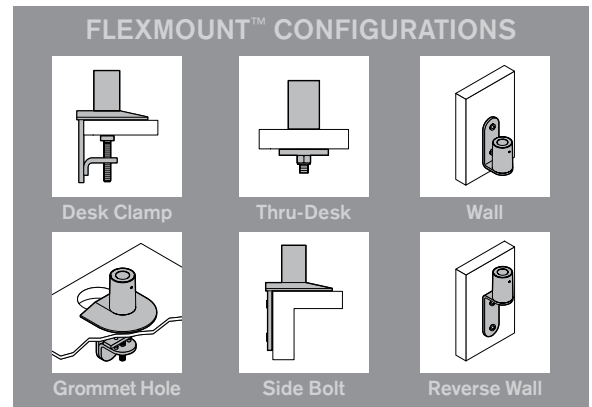
Model 7500

Specifications

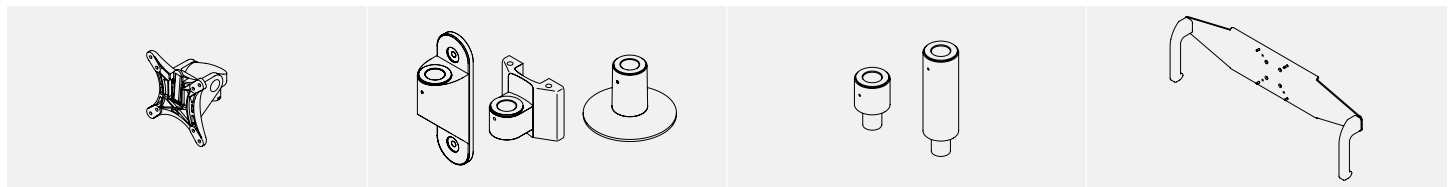


CAPABILITIES

Vertical range	18" (45.7 cm), +/- 9" (22.9 cm) from horizontal
Horizontal range	27" (68.6 cm)
Rotation	360 degrees at three joints
Monitor tilt	200 degrees
Monitor pivot	Landscape to portrait
Monitor compatibility	VESA® 75mm and 100mm
Cable management	Cables are concealed in arm
Mounting options	FLEXmount™, Slatwall, Wall, Thru-Desk
Monitor weight/model number	2 - 13 lbs (0.9 - 5.9 kg) / 7500-500 6 - 21 lbs (2.7 - 9.5 kg) / 7500-800 8 - 27 lbs (3.6 - 12.2 kg) / 7500-1000 13.5 - 44 lbs (6.1 - 19.9 kg) / 7500-1500



OPTIONAL ACCESSORIES



QUICK RELEASE ADAPTERS
Allows for quick attach and release of monitor (8444).

MOUNTS
Wall (8325), slatwall (8246) and thru-desk (8312).

EXTENDER TUBES
Raise the height of your arm. 2" (8171-75-2) and 6" (8171-75-6) extensions available.

HANDLE SET
Provides convenient handles to reposition monitor (8409).



Phone: 800.524.2744 | Fax: 610.253.9521 | E-mail: sales@LCDarms.com | Web: www.LCDarms.com

This product is protected by one or more of the following U.S. Patent Nos., and other United States and foreign patents applied for: 119,345, 119,346, 1,324,842, 2,470,525, 6,076,785, 6,273,383, 6,409,134, 6,478,274, 6,499,704, 6,505,988, 6,609,691, 6,19,606, 6,719,263, 6,726,167, 6,736,364, 6,783,105, 6,854,698, 6,915,994, 6,935,883, 6,955,328, 6,983,917, 6,986,489, 7,014,157, 7,017,874, 7,048,242, 7,059,574, 7,063,296, 7,066,433, 7,066,435, 7,389,965, 7,665,699, D435,852, D491,952, D492,893, D670,853, D675,293.